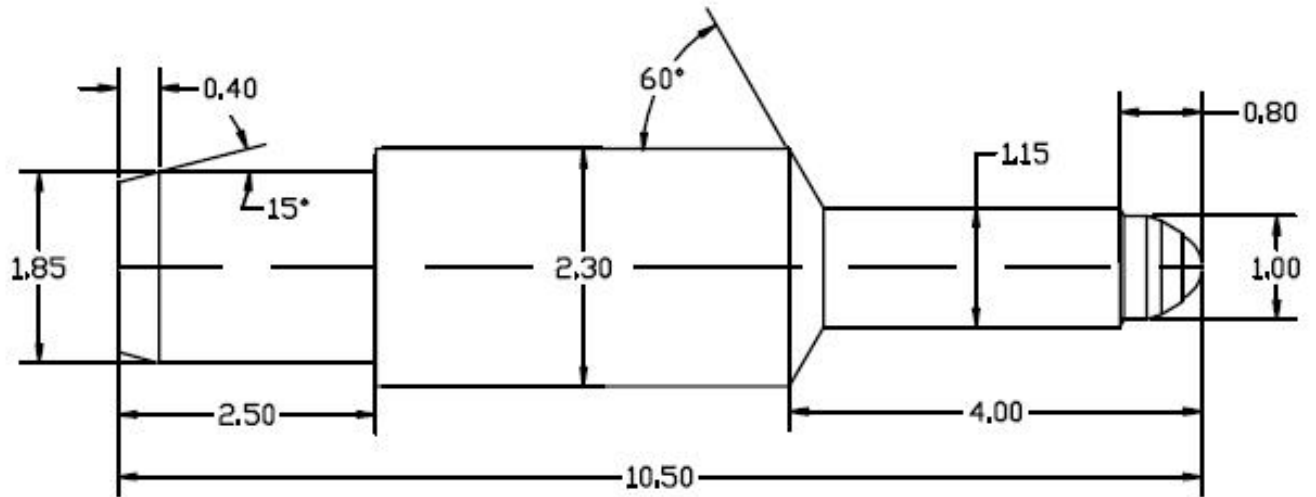


Model No :238.00.OBG

Trade Name :D4 Radius

E-mail: perfectpen.jalan@gmail.com



Technical Specifications:

- ✓ Housing Material & Size : NS2.30mm
- ✓ Ball Material : Tungsten Carbide
- ✓ Ball Diameter : 0.60, 0.70 mm
- ✓ Application : Used in Oil Based Ink refills
- ✓ Ink Lay Down : As specified by the customer
- ✓ Ink Type : OBG

